



The TRL5x functions only with the EVC controllers. All inputs/outputs are located on the controller except for the temperature sensor built-in the TRL5x.

TRL54
TRL55

Features:

- Used to program/configure the EVC VAV controller
- Attractive modern look with large LCD and backlight
- Icons driven information
- 3 wire or RJ45 Ethernet cable between thermostat & EVC
- Selectable analog and digital output
- Precise temperature control with programmable PI function
- Selectable Fahrenheit or Celsius scale
- Manual night set back or no occupancy override
- Multi level lockable access menu
- Lockable setpoint
- Selectable internal or external temperature sensor (10 KΩ)
- Change over by contact or external temperature sensor
- Pressure sensor air flow program available
- Selectable proportional control band and dead band
- Anti-freeze protection
- BACnet® MS/TP @ 9600, 19200, 38400, 76800bps available
- Selectable MAC address by dip switch on the EVCB

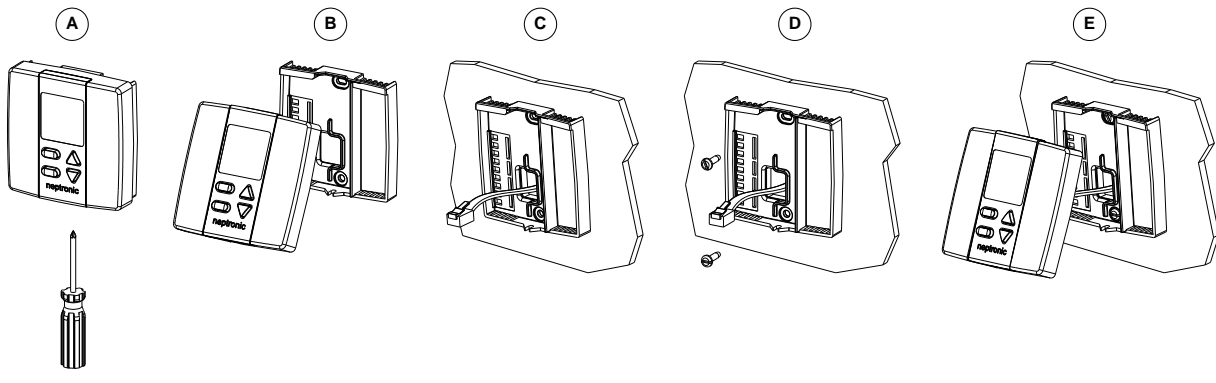
Technical Data	TRL54	TRL55
Electrical connection	3 wire cable	RJ45 cable
Setpoint range	10°C to 40°C [50°F to 104°F]	
External sensor range	-40°C to 100°C [-40°F to 212°F]	
Control accuracy	Temperature: ±0.4°C [0.8°F]	
Power supply	22 to 26 Vac 50/60Hz	
Power consumption	1 VA	
Rated impulse	330 V	
Proportional band	0.5°C to 5°C [1°F to 10°F] adjustable (heat/cool/changeover independent)	
Dead band	0.3°C to 5°C [0.6°F to 10°F] adjustable (heat/cool/changeover independent)	
Operating temperature	0°C to 50°C [32°F to 122°F]	
Storage & transport temperature	-30°C to 50°C [-22°F to 122°F]	
Relative Humidity	5 to 95% non condensing	
Degree of protection of housing	IP 30 (EN 60529)	
Weight	100 g. [0.22 lb]	
Dimensions A = 3.00 in (78mm) B = 3.00 in (78mm) C = 1.00 in (24mm) D = 2.36 in (60mm)		

Interface

Display Symbols

	Cooling ON A: Automatic		Menu set-up lock		Energy saving mode
	Heating ON A: Automatic		Programming mode (Technician setting)	°C or °F	°C: Celsius scale °F: Fahrenheit scale
	Alarm status	MIN MAX	Minimum/Maximum set points		



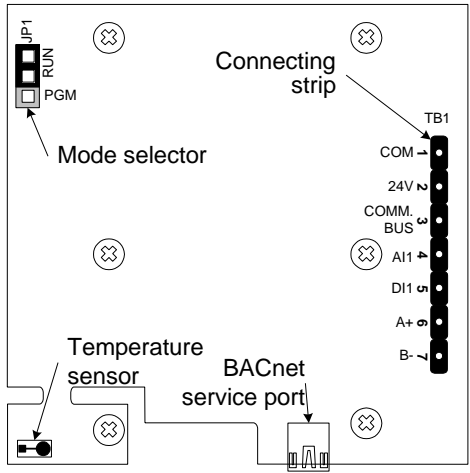
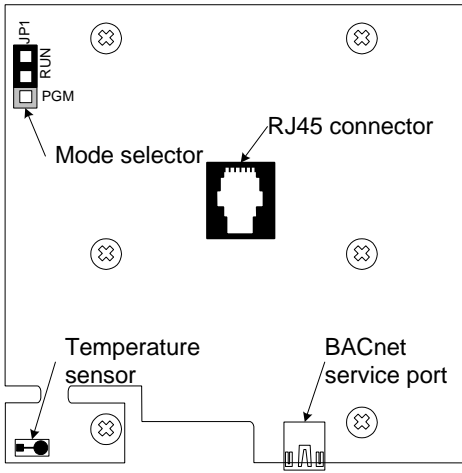
Mounting Instructions




CAUTION: Risk of malfunction. Disconnect power prior to separating thermostat cover from its base.

- Remove the screw (captive) holding the front cover to the base of the thermostat.
- Lift the front cover of the thermostat to separate it from the base.
- Pull wire through the base hole.
- Secure the base to the wall using wall anchors and screws (supplied). Make the appropriate connections.
- Mount the control module on the base and secure using the screw (from step A).

Settings on PC Board & Connections

Mode Selection (JP1)	
<p>JP1 Jumper (JP1) on RUN: Thermostat is in Operation Mode. Thermostat must be set in this mode to operate properly. If not locked, setpoint and control mode (Heating & Cooling ON, Cooling only ON or Heating only ON) can be modified by end user.</p> 	<p>JP1 Jumper (JP1) on PGM: Thermostat is set in Programming Mode. Refer to following section about all settings description</p> 
<p>TRL54 – 3 wire cable (TB1 #1, 2 & 3) Connect TB1 #6 (A+) & #7 (B-) to EVCB for BACnet service port to work</p> 	<p>TRL55 – RJ45 Ethernet cable BACnet service port works only if TRL5x is connected to EVCB</p> 

Recycling at end of life

	<p>At end of life, please return the thermostat to your Neptronic® local distributor for recycling. If you need to find the nearest Neptronic® authorized distributor, please consult www.neptronic.com.</p>
---	---